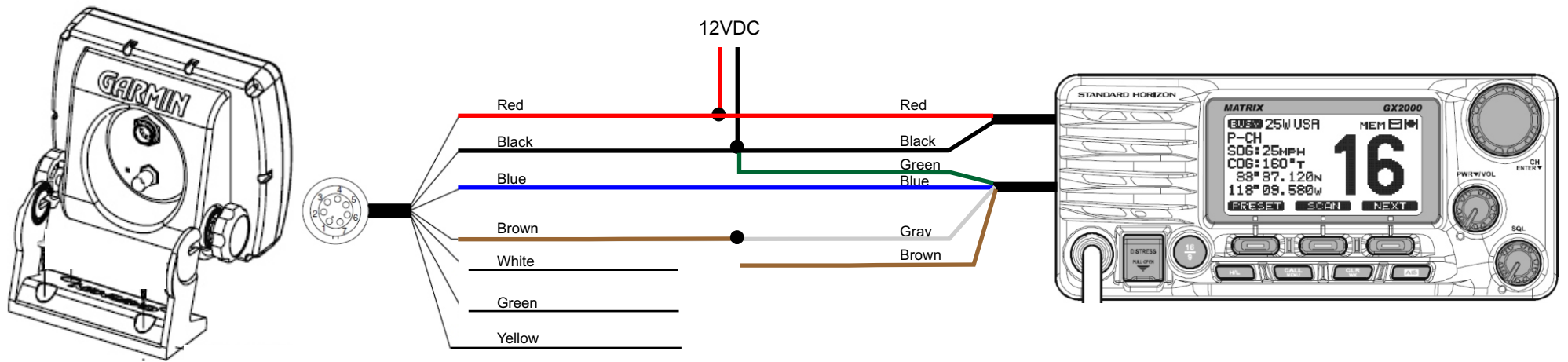




Garmin GPSMap 192C to MATRIX GX2100



Notes:

The Garmin baud rate for Port 1 must be changed to NMEA IN/NMEA OUT in the Garmin Setup menu. (Refer to Comm (Communications) tab in the Garmin's manual for details.)

The Brown wire on the GX2100 is not connected to the Garmin as it does not have AIS capability.