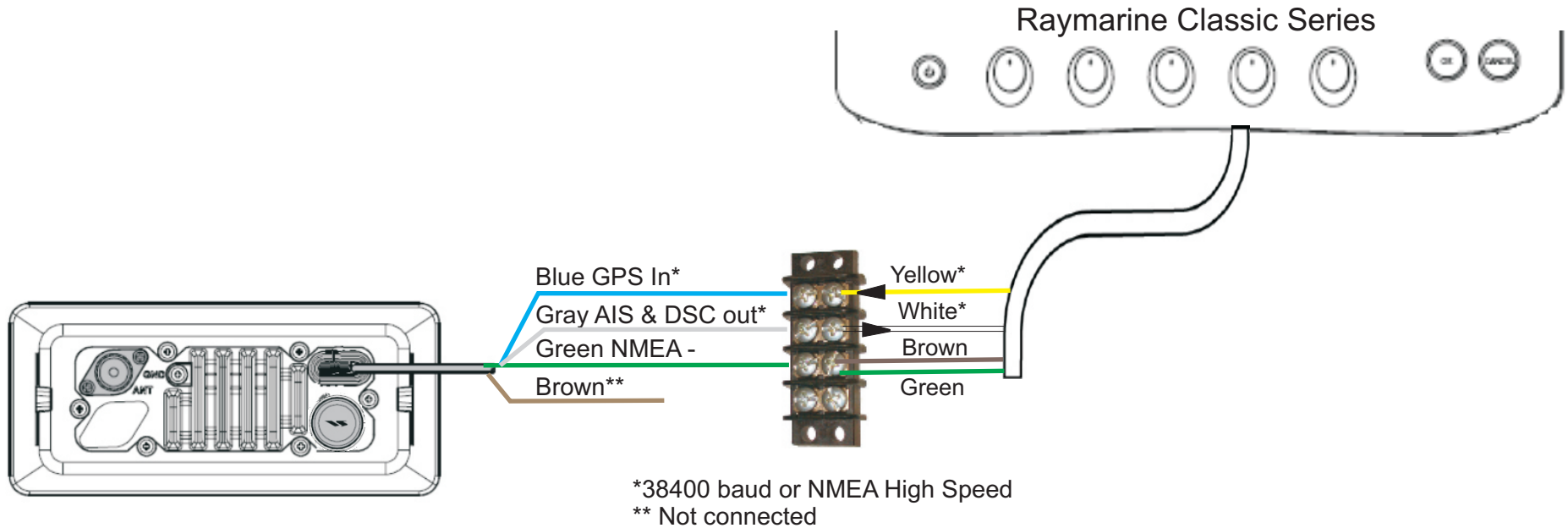




MATRIX AIS+ GX2150 to Raymarine C & E Classic Series

This document shows connections between a MATRIX AIS+ GX2150 and a Raymarine C & E Series Classic Chart Plotters. After connections are made the Port of the GX2150 and the Raymarine Chart Plotter must be changed to 38400 baud.



MATRIX AIS+ GX2150

1. Press and hold down the **CALL MENU** key until "Setup Menu" appears, then select "GENERAL SETUP" with the **CHANNEL** knob.
2. Press the **SELECT** soft key, then rotate the **CHANNEL** knob to select "NMEA DATA IN/OUT".
3. Press the **SELECT** soft key.
4. Rotate the **CHANNEL** knob to select the desired baud rate.
5. Press the **ENT** soft key to store the selected baud rate.
6. Press the **QUIT** soft several times to return to radio operation.



C or E Classic Series Port setup

1. Refer to the Raymarine Classic manual.