

## SCU-30 Wireless Access Point

The **SCU-30** is wireless access point supplied with 5 feet of cable that plugs into RAM Connector of your compatible Standard Horizon VHF radio to wireless connect with the **SSM-71H** Wireless Remote Access Microphone **RAM4W**. Please refer to the STANDARD HORIZON products catalog or web site for compatibility.

### Owner's Manual

The details of the installation of the **SCU-30** are included in the owner's manual of the compatible fixed mount radio, or can be downloaded at [www.standardhorizon.com](http://www.standardhorizon.com).

### Safety Precautions (Be Sure to Read)

Be sure to read the safety precautions of Operating Manual of the compatible fixed mount VHF radio to use this product safely.

### Supplied Accessories

Antenna Unit (5 feet cable).....	1
Antenna Base (Socket, Part number: RA6054200) .....	1
Screws (M3X8 SUS, Part number: U20308020) .....	3

### Installing

The **SCU-30** is designed to be mounted on a base, installed on an extension pole or flush mounted. Choose a location for the antenna unit that has not located within 3 feet of radar or other transmitting antenna. Ensure there are no major obstructions or fixtures in the immediate proximity to the antenna unit. If you are unsure of the location, temporarily mount the antenna to verify correct operation. If mounted close to a radar, turn on the radar and check the to verify correct operation.

#### Compass Safe Distance

This antenna unit at least 0.2m (0.66 feet) from magnetic compass.

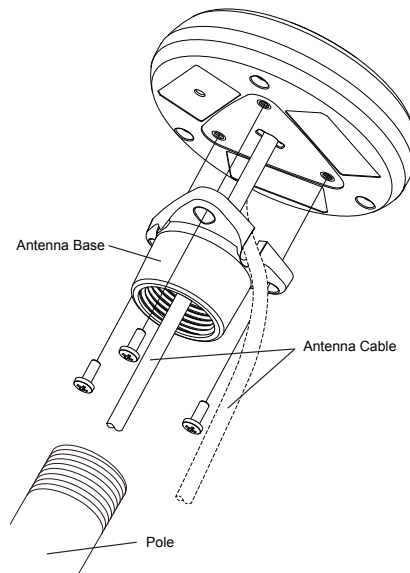
#### Base Mounting the antenna

The thread used on the base of antenna (1 inch, 14 TPI) is an industry standard used on a wide range of commercially available mounting brackets or extension poles. Due to the manufacturing process of the mounting brackets, the antenna may not tighten all the way down onto all the threads. This is of no concern however as the antenna must be tightened until the antenna stops rotating.

1. When passing the antenna cable through a mounting bracket or extension pole, make sure to pass the cable through the antenna base.

#### NOTES:

- When routing the antenna cable along the outside of the extension pole, pass the cable through the groove as shown by the dotted lines in the figure on the right. (Please cut the blank panel with a long-nose pliers.)

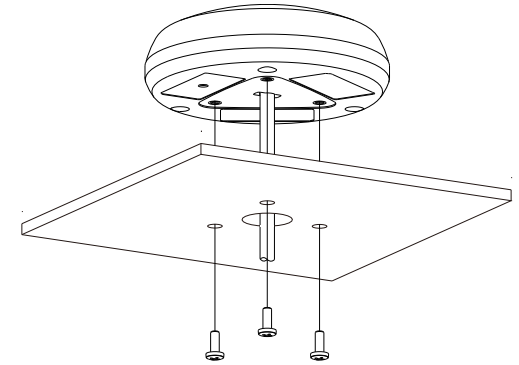


- The antenna cable can be cut and spliced to ease installation. Care must be taken when reconnecting the antenna cable to protect from water and corrosion.
2. Mount the antenna base to the antenna using the supplied three screws.
  3. Screw the antenna base to the mounting bracket or extension pole.
  4. Install the mounting bracket or extension pole.

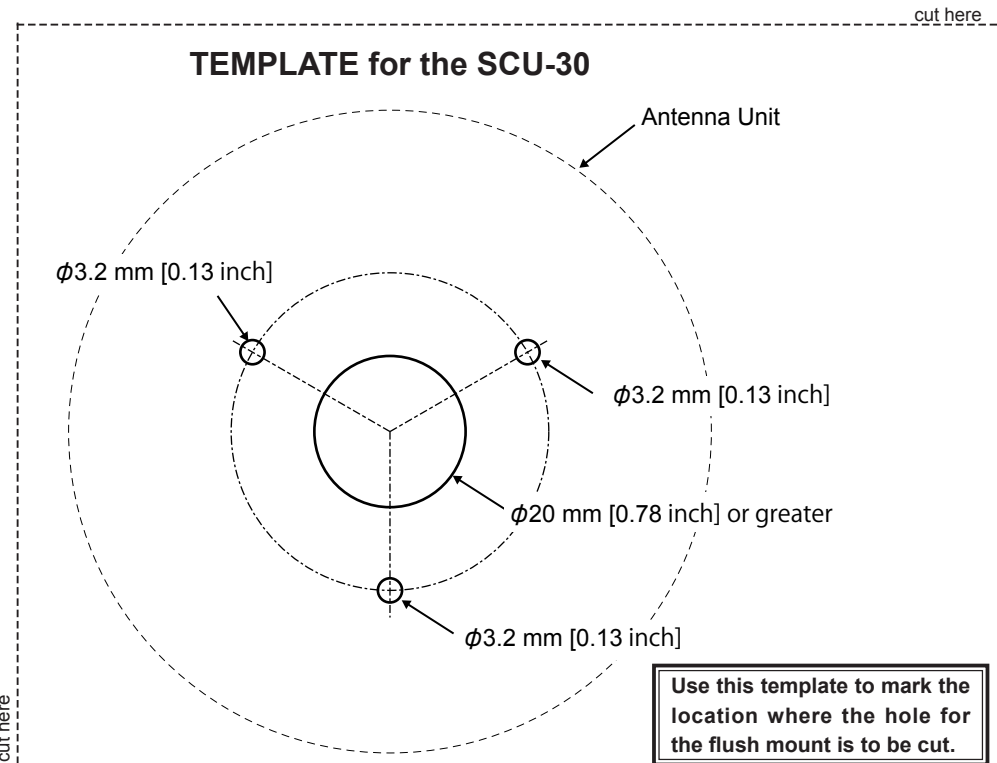
#### Flush Mounting the antenna

**NOTE:** Before drilling the mounting holes, it is recommended to verify correct operation in the desired location.

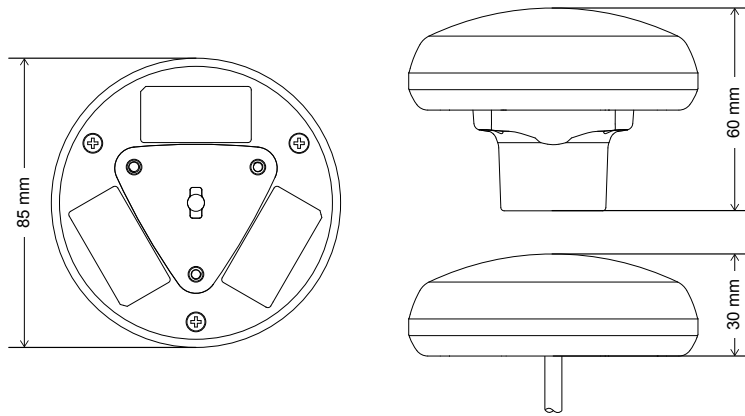
1. To ease installation use the supplied flush mount template.
2. Apply the flush mounting template sticker.
3. Drill the 0.78" (20 mm) and 0.13" (3.2 mm) holes, and remove the template.
4. Insert the cable into the 0.78" (20 mm) hole and route to the transceiver.
5. Apply a small amount of RTV to the underside of the antenna.
6. Place the antenna and screw into place using the supplied screws.



#### Template



## Dimensions



## RF Exposure

The RF output power of the module is 0.095 Watts. This power output is below the RF exposure threshold for use mobile devices. See FCC document KDB 447498 for additional information.

## FCC Notice

Unauthorized changes or modifications to this equipment may void compliance with FCC Rules. Any change or modification must be approved in writing by STANDARD HORIZON.

This equipment has been tested and found to comply with the limits for a Class B digital device, pursuant to Part 15 of the FCC Rules. These limits are designed to provide reasonable protection against harmful interference in a residential installation. This equipment generates, uses and can radiate radio frequency energy and, if not installed and used in accordance with the instructions, may cause harmful interference to radio communications. However, there is no guarantee that interference will not occur in a particular installation.

If this equipment does cause harmful interference to radio or television reception, which can be determined by turning the equipment off and on, the user is encouraged to try to correct the interference by one or more of the following measures:

- Reorient or relocate the receiving antenna.
- Increase the separation between the equipment and receiver.
- Connect the equipment into an outlet on a circuit different from that to which the receiver is connected.
- Consult the dealer or an experienced radio/TV technician for help.

THIS DEVICE COMPLIES WITH PART 15 OF THE FCC RULES. OPERATION IS SUBJECT TO THE FOLLOWING TWO CONDITIONS: (1) THIS DEVICE MAY NOT CAUSE HARMFUL INTERFERENCE, AND (2) THIS DEVICE MUST ACCEPT ANY INTERFERENCE RECEIVED, INCLUDING INTERFERENCE THAT MAY CAUSE UNDESIRE OPERATION.

Changes or modifications to this device not expressly approved by YAESU U.S.A. could void the User's authorization to operate this device.

This device complies with Industry Canada license-exempt RSS standard(s). Operation is subject to the following two conditions: (1) this device may not cause interference, and (2) this device must accept any interference, including interference that may cause undesired operation of the device.

Le présent appareil est conforme aux CNR d'Industrie Canada applicables aux appareils radio exempts de licence. L'exploitation est autorisée aux deux conditions suivantes : (1) l'appareil ne doit pas produire de brouillage, et (2) l'utilisateur de l'appareil doit accepter tout brouillage radioélectrique subi, même si le brouillage est susceptible d'en compromettre le fonctionnement.

Yaesu Musen Co. Ltd is responsible for ensuring that the end-user has no manual instructions to remove or install module.

The Wireless Networking Module is limited to SCU-30 installation ONLY.

This equipment is defined as a transmitting device designed to be used in other than fixed locations. In this context, the term "fixed location" means that the device is physically secured at one location and is not able to be easily moved to another location.

This equipment complies with FCC and IC radiation exposure limits set forth for an uncontrolled environment. This equipment should be installed and operated with minimum distance 20 cm between the radiator and your body.

## EU Declaration of Conformity

We, Yaesu Musen Co. Ltd of Tokyo, Japan, hereby declare that this radio equipment SCU-30 is in full compliance with EU Radio Equipment Directive 2014/53/EU. The full text of the Declaration of Conformity for this product is available to view at <http://www.yaesu.com/jp/red>

## ATTENTION – Conditions of usage

This transceiver works on frequencies that are regulated and not permitted to be used without authorisation in the EU countries shown in this table. Users of this equipment should check with their local spectrum management authority for licensing conditions applicable for this equipment.

					
AT	BE	BG	CY	CZ	DE
DK	ES	EE	FI	FR	UK
GR	HR	HU	IE	IT	LT
LU	LV	MT	NL	PL	PT
RO	SK	SI	SE	CH	IS
LI	NO	-	-	-	-

## Disposal of Electrical and Electronic Equipment

Products with the symbol (crossed-out wheeled bin) cannot be disposed as household waste. Electronic and Electrical Equipment should be recycled at a facility capable of handling these items and their waste byproducts. Please contact a local equipment supplier representative or service center for information about the waste collection system in your country.



## Specifications

Supply Voltage:	Normal: 13.8 VDC (Supplied from the transceiver)
Power Consumption:	1.4 W (Max.)
Operating Temperature:	-4°F to +140°F (-20°C to +60°C)
Storage Temperature:	-22°F to +185°F (-30°C to +85°C)
Wireless Networking Module:	FCC ID: K660A300910, IC: 511B-0A300910*
Frequency Band:	2412 to 2462 MHz
RF Output Power:	0.095 W
Wireless Networking Standard:	IEEE 802.11 b/g/n
Dimensions:	85 x 30 mm in height (flush mounted) or 60 mm on base mount
Weight (approx., without cable):	2.8 oz (80 g)
Cable (approx.):	5 feet (1.5 m)

\* The original Gainspan Corporation grant notes indicate that the module was approved as single modular approval. The module is only approved for use in mobile configurations.

\* This module is for Yaesu Musen Co., Ltd's internal use only for their host, model SCU-30 which is an access point.

## YAESU MUSEN CO., LTD.

Tennozu Parkside Building  
2-5-8 Higashi-Shinagawa, Shinagawa-ku, Tokyo 140-0002 Japan

## YAESU USA

6125 Phyllis Drive, Cypress, CA 90630, U.S.A.

## YAESU UK

Unit 12, Sun Valley Business Park, Winnall Close  
Winchester, Hampshire, SO23 0LB, U.K.

Printed in Japan 1804I-AS

