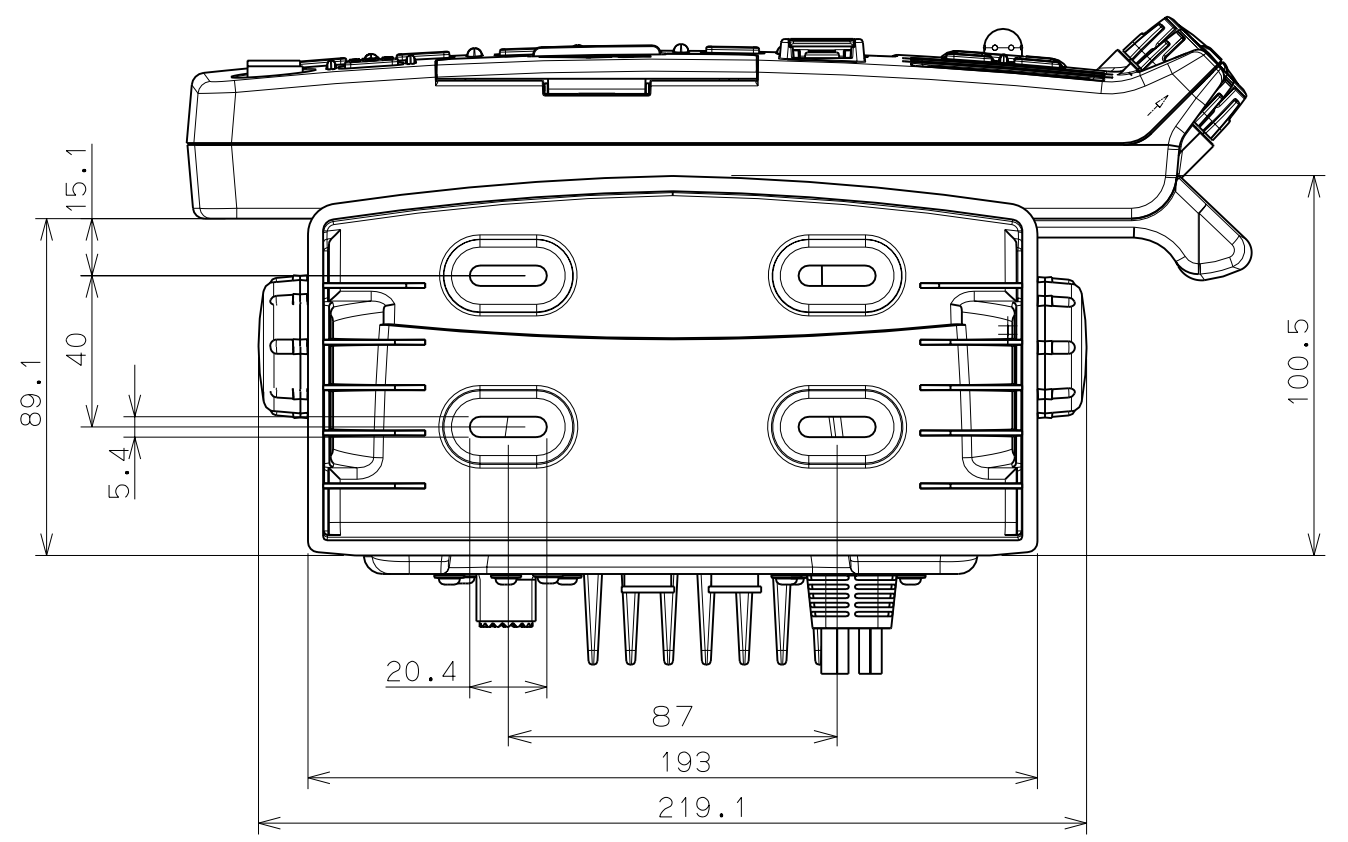
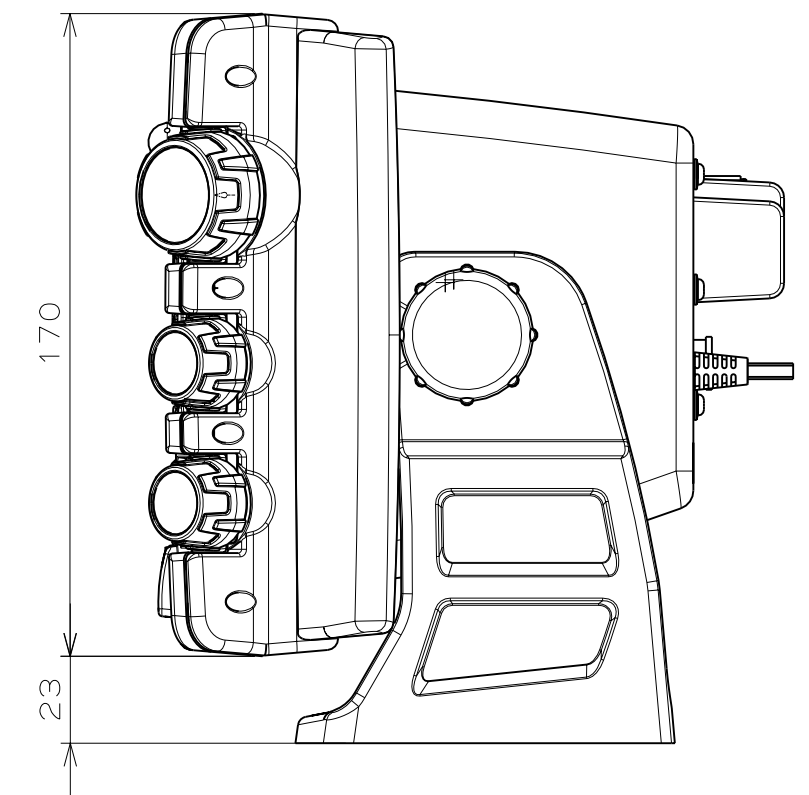
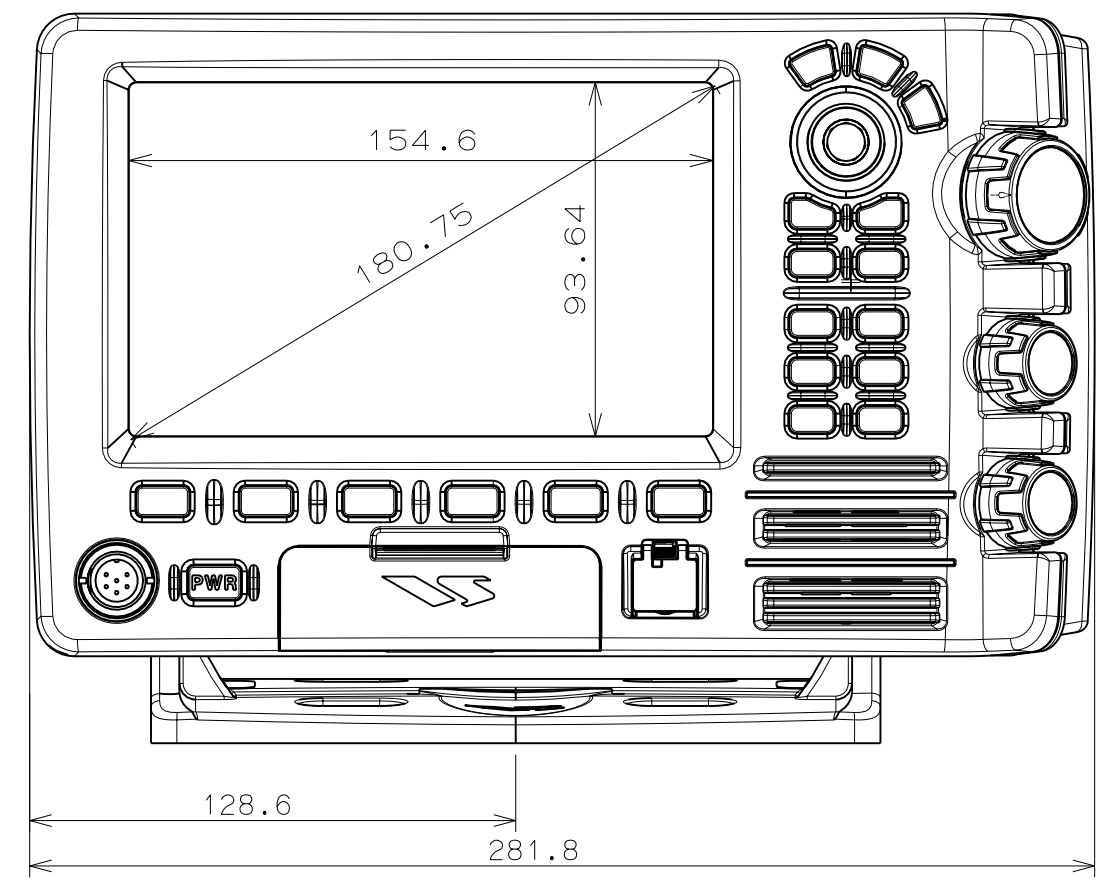
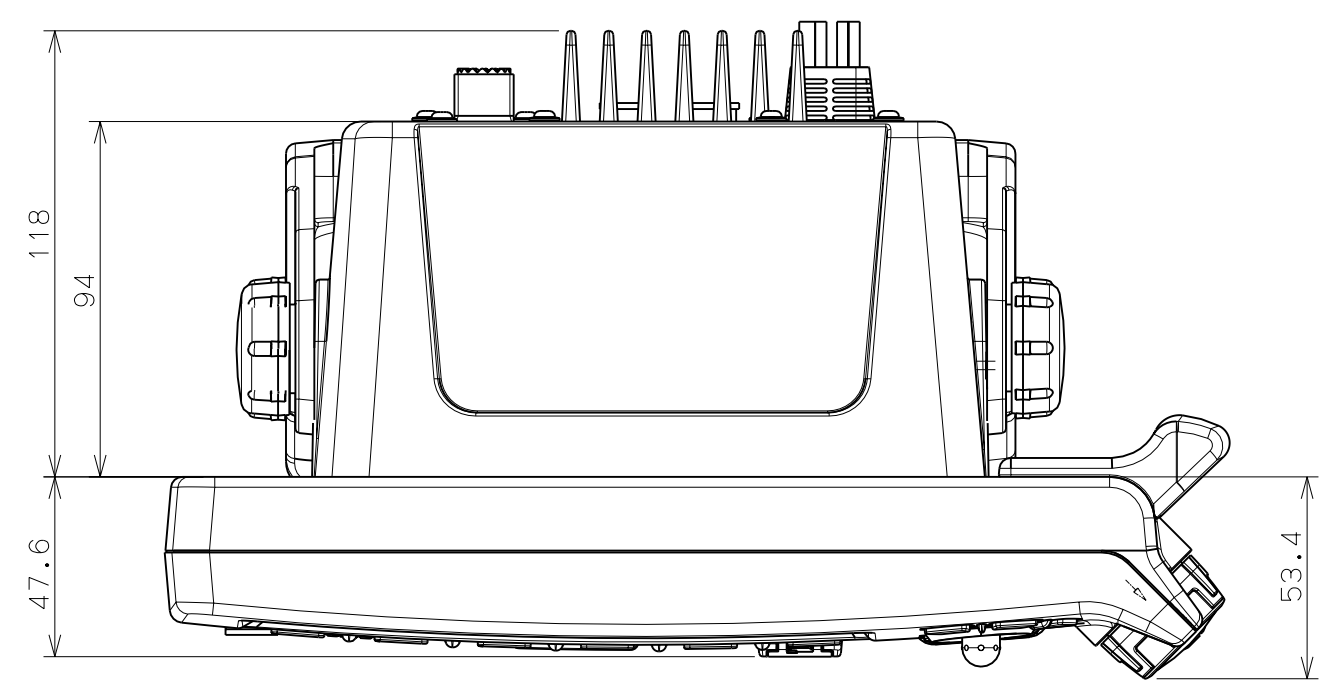


00000000 DO NOT SCALE

| GENERAL TOLERANCE ± mm | | | |
|------------------------|-----------|-----------|-----------|
| DIMENSION | TOLERANCE | DIMENSION | TOLERANCE |
| - 3 | | 50 - 80 | |
| 3 - 6 | | 80 - 120 | |
| 6 - 10 | | 120 - 180 | |
| 10 - 18 | | 180 - 250 | |
| 18 - 30 | | 250 - 315 | |
| 30 - 50 | | 315 - 400 | |
| MARK/DATE | REVISIONS | NAME | |
| △ | | | |



RoHS対応品とする
 Do not include the harmful substance in environment
 (1.Cr(VI) 2.Cd 3.Pb 4.Hg 5.PBBs 6.PBDEs)

| | | | | | |
|---------------------------|------------|------------|------------|----------------|-------------------|
| NOTE | | | | 3D | |
| SURFACE TREATMENT : 00000 | | | | | |
| MATERIAL : 00000 | | | | | |
| PROJ. | UNIT | ANGLE | SCALE | PRODUCTION No. | MO16N |
| | mm | ± ° | 1:2 | TITLE | CPV350 APPEARANCE |
| APPROVED | CHECKED | DESIGNED | DRAWING | DRAWING No. | BA0961100 |
| 2007.04.09 | 2007.00.00 | 2007.04.09 | 2007.04.09 | | |
| S.Kawakubo | 000 | Y.Kaya | Y.Kaya | A2 | |