

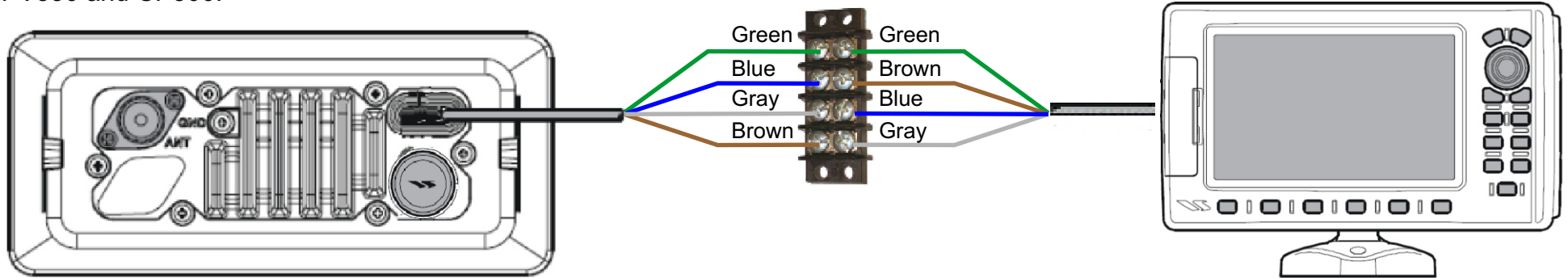


Standard Horizon Chart Plotter to MATRIX AIS GX2100

Standard Horizon GPS chart plotters have Com Ports that can be setup to communicate with NMEA 0183 (4800 baud), AIS 38400, FF525 Fish Finder and optional Si-Tex Radar. This document discusses connecting the MATRIX AIS to Port 1 and 2 of the GPS Chart Plotter, however other ports may be used.

For example when a FF525 is connected to a GPS chart plotter, port 2 is normally used. This means the AIS out (Brown wire) will have to be connected to another input port on the chart plotter. Contact Standard Horizon Product support for advice.

The wiring below may be used for the Standard Horizon, CP155C, CP175C, CP1000C, CP180, CP180i, CP300, CP300i, CPF300i, CPV350 CPV550 and CP500.



Matrix Wire Color	Matrix Wire Description
Green	NMEA Common
Blue (GPS In)	NMEA Input+ 4800 baud
Gray (DSC out)	NMEA Output+ 4800 baud
Brown (AIS out)	NMEA Output+ 38.4k baud

SH GPS Wire Description	SH GPS Wire Color
NMEA Common	Green
NMEA Output+ 4800 baud	Brown (Port 1 Out+)
NMEA Input+ 4800 baud	Blue (Port 1 In+)
NMEA Input+ 38.4k baud	Gray (Port 2+)

Port 2 input of the NMEA In/Out Connections in the plotter menu must be changed to AIS 38400 to show AIS targets on the Chart Page and the AIS List page. When AIS 38400 is selected, the NMEA output from Port 2 is disabled.

1. From the Chart page, press **[MENU]**. Move the ShuttlePoint knob to highlight **SETUP MENU** and press **[ENT]** key.
2. Move the ShuttlePoint knob to highlight **ADVANCED SETUP** and press **[ENT]** key.
3. Move the ShuttlePoint knob to highlight **IN/OUT CONNECTIONS** and press **[ENT]** key.
4. Move the ShuttlePoint knob to highlight **PORT2 INPUT** and press **[ENT]** key.
5. Move the ShuttlePoint knob to highlight **AIS 38400** and press the **[ENT]** key.
3. Press the **[CLR]** key 4 times to select the Chart page.