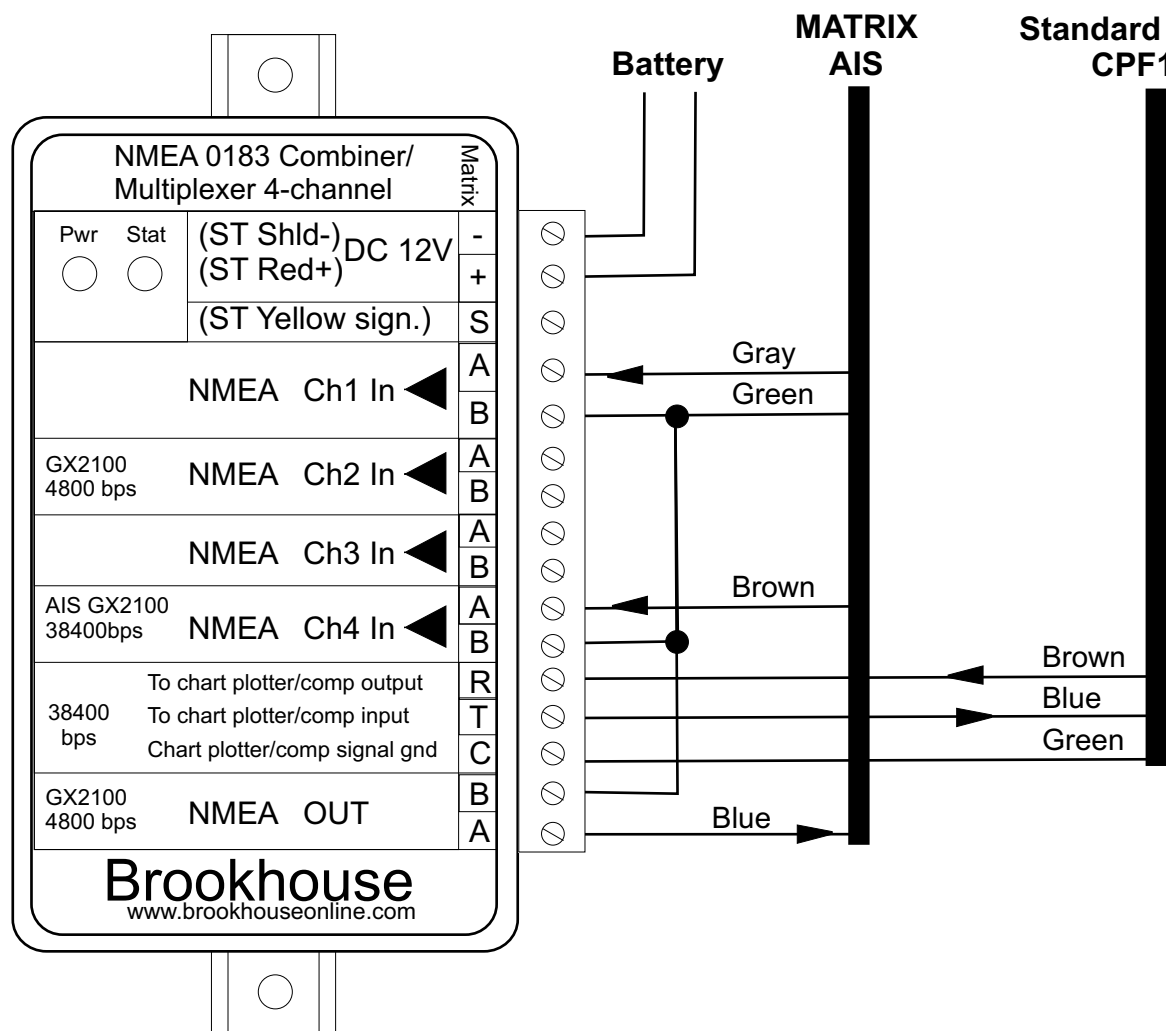


Standard Horizon CPF180i to MATRIX AIS GX2100

The MATRIX AIS can be connected to a Standard Horizon CPF180i Chart Plotter/Sounder, however a NMEA multiplexer is needed as the CPF180i has only one NMEA port. Brookhouse, a company in New Zealand has designed a multiplexer with the CPF180i. The diagram below shows how to connect the multiplexer between the CPF180i and the MATRIX AIS VHF radio.



After connections are made the CPF180i Port 1 must be configured to 38400 baud by following the steps below:

1. Press **[Menu]**, move the ShuttlePoint knob to highlight **SETUP MENU** and press **[ENT]**.
2. Move the ShuttlePoint knob to highlight **ADVANCED SETUP** and press **[ENT]** or move the ShuttlePoint knob to the right.
3. Move the ShuttlePoint knob to highlight **IN/OUT CONNECTIONS** and press **[ENT]** or move the ShuttlePoint knob to the right.
4. Move the ShuttlePoint knob to highlight **PORT 1 INPUT** and press **[ENT]** or move the ShuttlePoint knob to the right.
5. Move the ShuttlePoint knob up/down to select **AIS 38400** and press **[ENT]** or move the ShuttlePoint knob to the right.