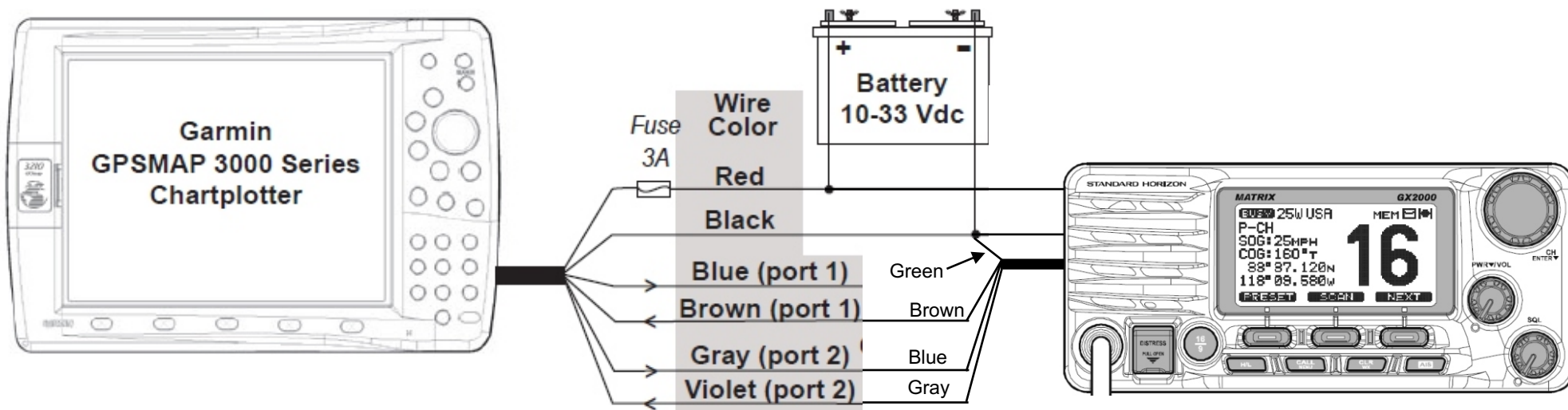




Garmin 3000 Series to MATRIX GX2100



Note:

The Garmin baud rate for Port 1 must be changed to NMEA High Speed using the COMM Tab in the Garmin Setup menu.

Comm (Communications) Sub Tab

The Comm sub tab controls the input/output format used when connecting your GPSMAP 3206/3210 to external NMEA devices or a personal computer. The unit supports two input/output ports.



NOTE: See the *GPSMAP 3206/3210 & GPS17 Installation Instructions* for more information on wiring and NMEA information.

