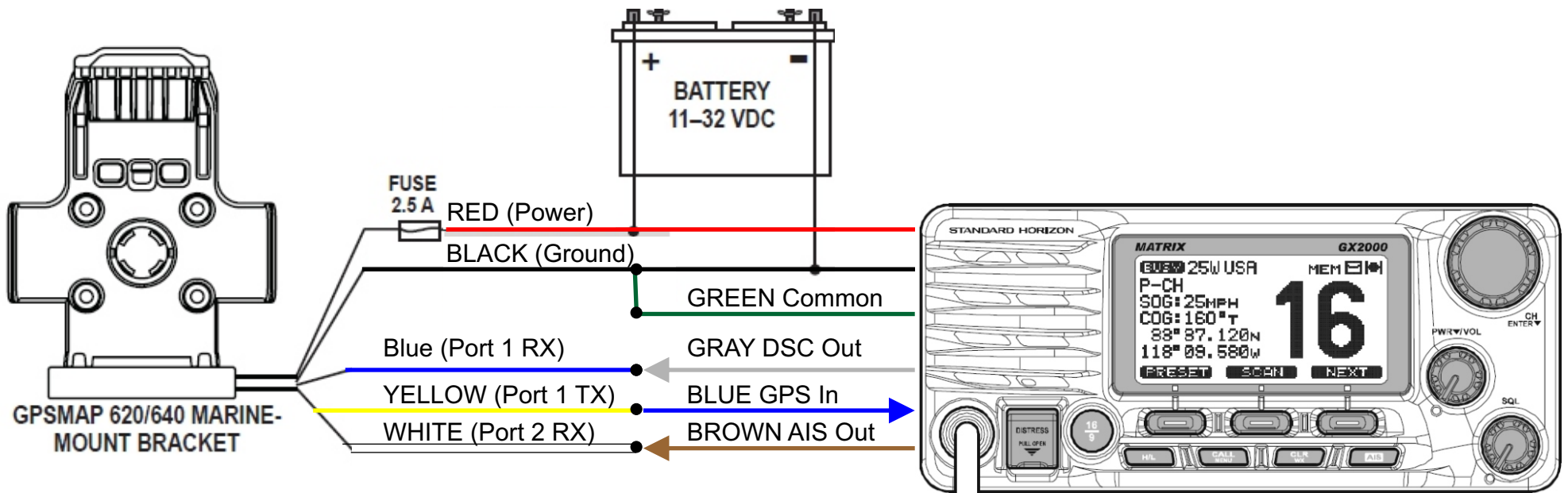


Wiring the Garmin GPSMap 640 to the MATRIX AIS



NOTE:

After connections have been made, Port 2 of the Garmin must be changed to NMEA High Speed to be able to receive and display AIS targets from the MATRIX AIS.

Refer to page 35 of the GPSMap 640 owners manual.